

Technical Information

No. 5550

Edition: 02/07

Status: replace 01/07

Preliminary: Subject to change

Xenon Short Arc Lamp

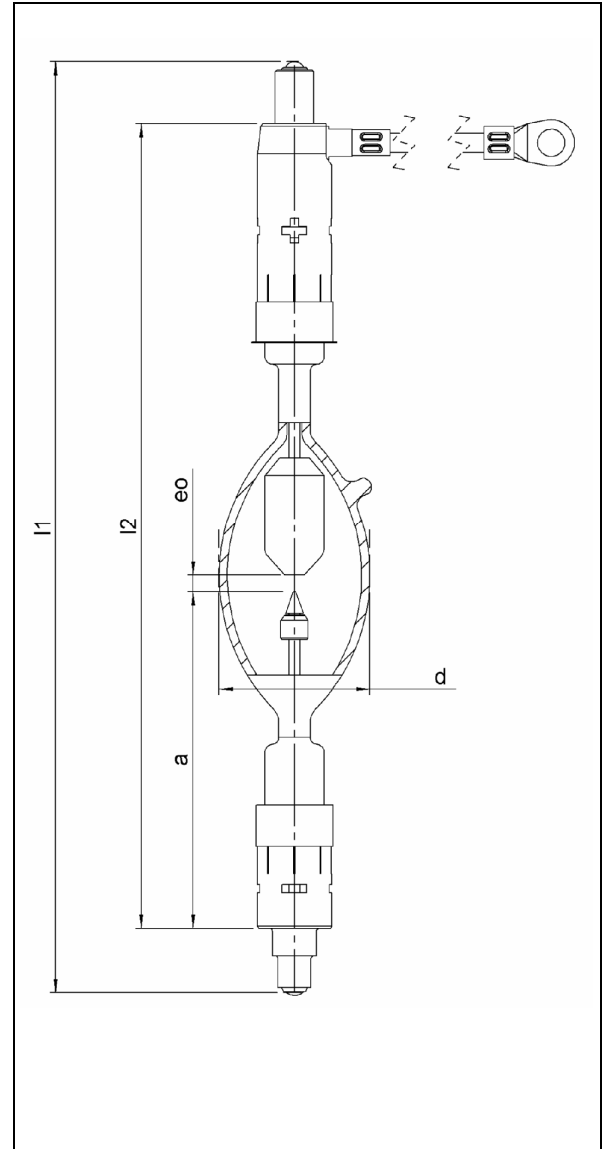
XBO[®] 4000 W/DHP OFR

■ Product description

The OSRAM XBO[®] 4000W/DHP OFR is a DC-operated lamp, developed with the latest high brightness technology for XBO lamps. A generation especially designed for D-Cinema projector application. The DHP lamp is therefore; a high performance lamp with excellent arc stability and superior level of luminance.

■ Technical data

Order reference	XBO [®] 4000 W/DHP OFR	
Rated lamp wattage	W	4000
Rated lamp voltage	V	33
Rated lamp current (= *)	A	120
Current control range	A	100 - 130
Ignition voltage	kV _P	40
Min. open circuit voltage for cold / hot ignition	V	100 / 120
Luminous flux	lm	170.000
Luminous intensity	cd	17.500
Average luminance	cd/cm ²	130.000
Luminous area w x h **)	mm	1.7 x 4.9
Electrode gap e (cold)	mm	6,0
Lamp length (overall) l ₁	mm	max. 345
Lamp length l ₂	mm	max. 295
LCL	a	mm 123
Bulb diameter	d	mm 55
Warranty	h	700
Base	Cathode:	SFc 27-16/45
Anode side cable 130mm	Anode:	SFa X 27-14x80



*) Using electronic rectifier with low current ripple.

**) w = luminance half width value; h = height of luminance area (corresponds to electrode gap, hot)

■ Lamp operation

Maximum permissible base temperature	230°C
Cooling	forced cooling / fan
Min. air flow velocity around discharge vessel	7 m/s
Magnetic arc stabilization	necessary for horizontal operation
Burning position	s 15 (vertical ± 15°; anode up); p 15 (horizontal ± 15°)